

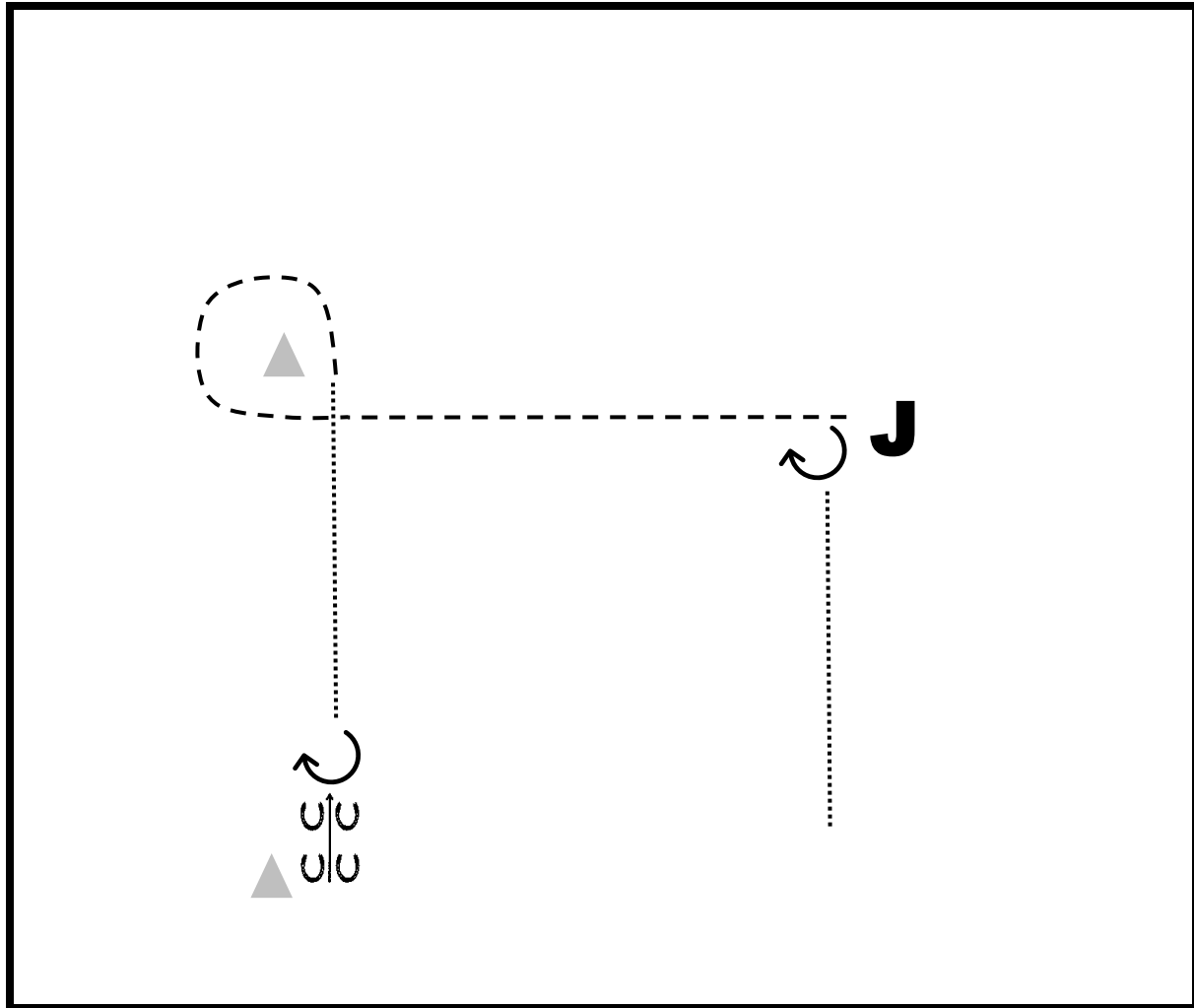


# Oklahoma Horse Show Association

Show Date: April 13, 2024

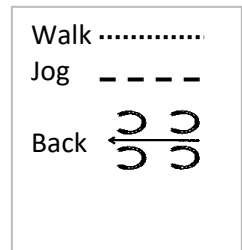
Showmanship: Open, Amateur, Nov. Amateur, Youth, Nov. Youth

Classes 8, 9, 10, 12, 13



Be ready at the cone.

1. Back 4 steps.
3. Perform a 180 degree turn to the right.
4. Walk to the next cone.
5. Jog around cone and to judge.
6. Stop and set up for inspection.
7. Perform a 90 degree turn to the right, walk to exit as shown.



*Note: The drawn description of this pattern is only intended for the general depiction of the pattern. Contestants should utilize the arena space to best exhibit their horses.*

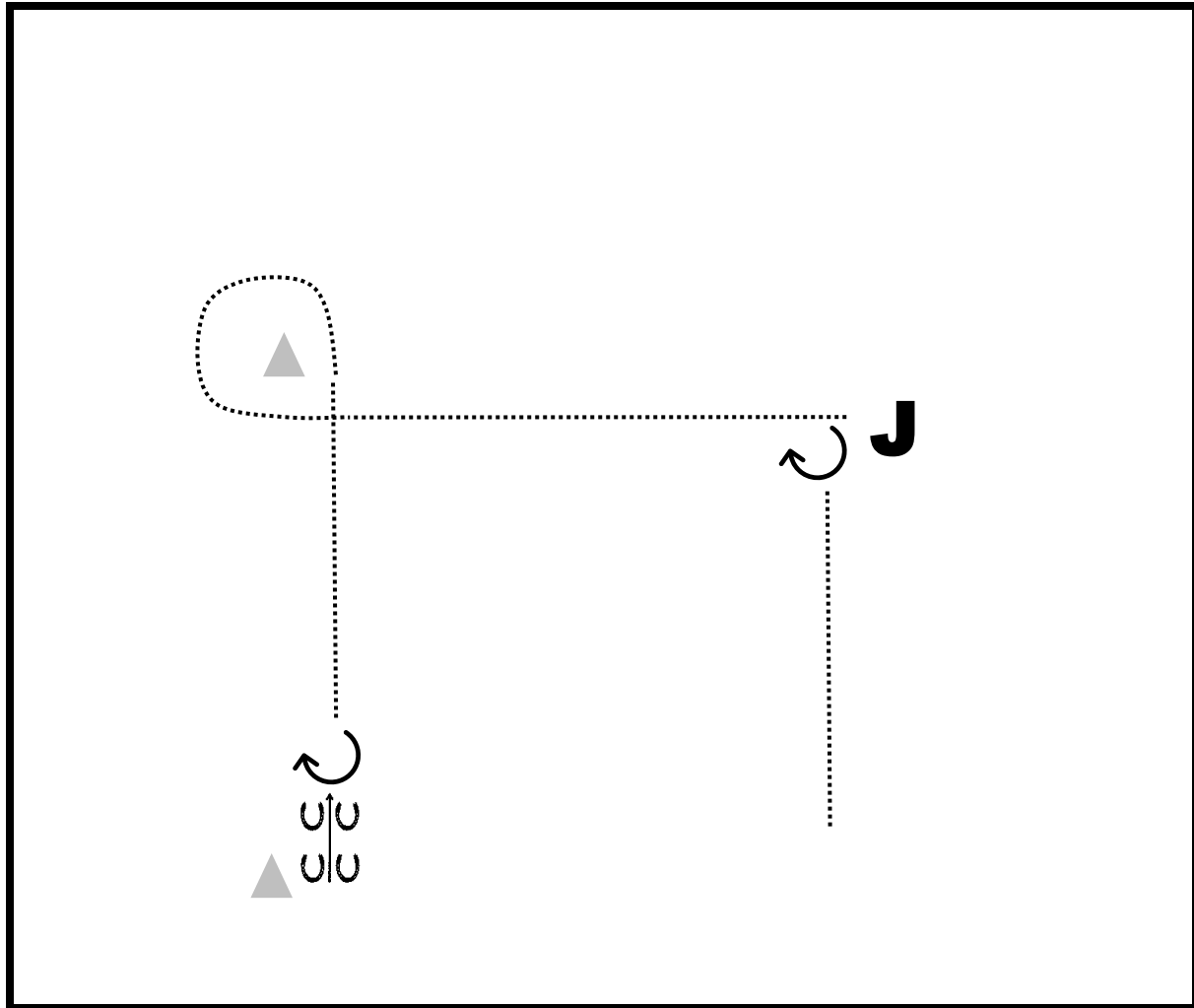


# Oklahoma Horse Show Association

Show Date: April 13, 2024

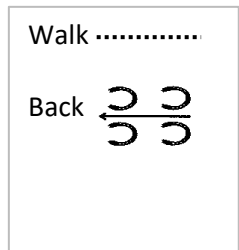
## Showmanship: W/T Amateur, W/T Youth

Classes 11, 14



Be ready at the cone.

1. Back 4 steps.
3. Perform a 180 degree turn to the right.
4. Walk to the next cone.
5. Walk around cone and to judge.
6. Stop and set up for inspection.
7. Perform a 90 degree turn to the right, walk to exit as shown.



*Note: The drawn description of this pattern is only intended for the general depiction of the pattern. Contestants should utilize the arena space to best exhibit their horses.*

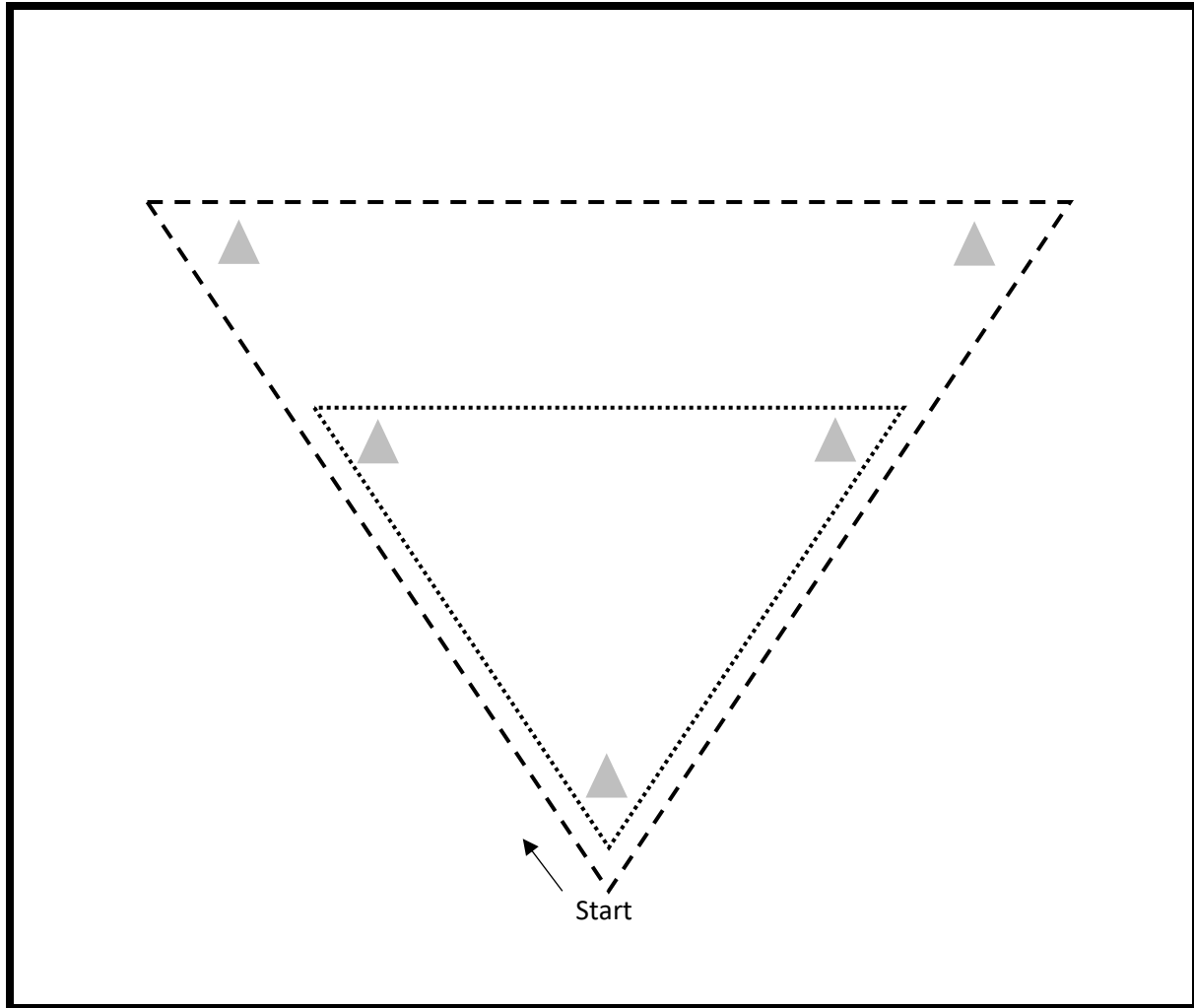


# Oklahoma Horse Show Association

Show Date: September 9, 2023

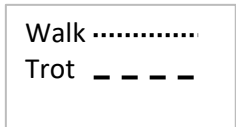
## Hunter in Hand: All Classes

Classes 15, 16, 17, 18, 19, 20, 21



Be ready at the cone.

1. Walk small triangle, clockwise.
2. Trot large triangle, clockwise.



*Note: The drawn description of this pattern is only intended for the general depiction of the pattern. Contestants should utilize the arena space to best exhibit their horses.*

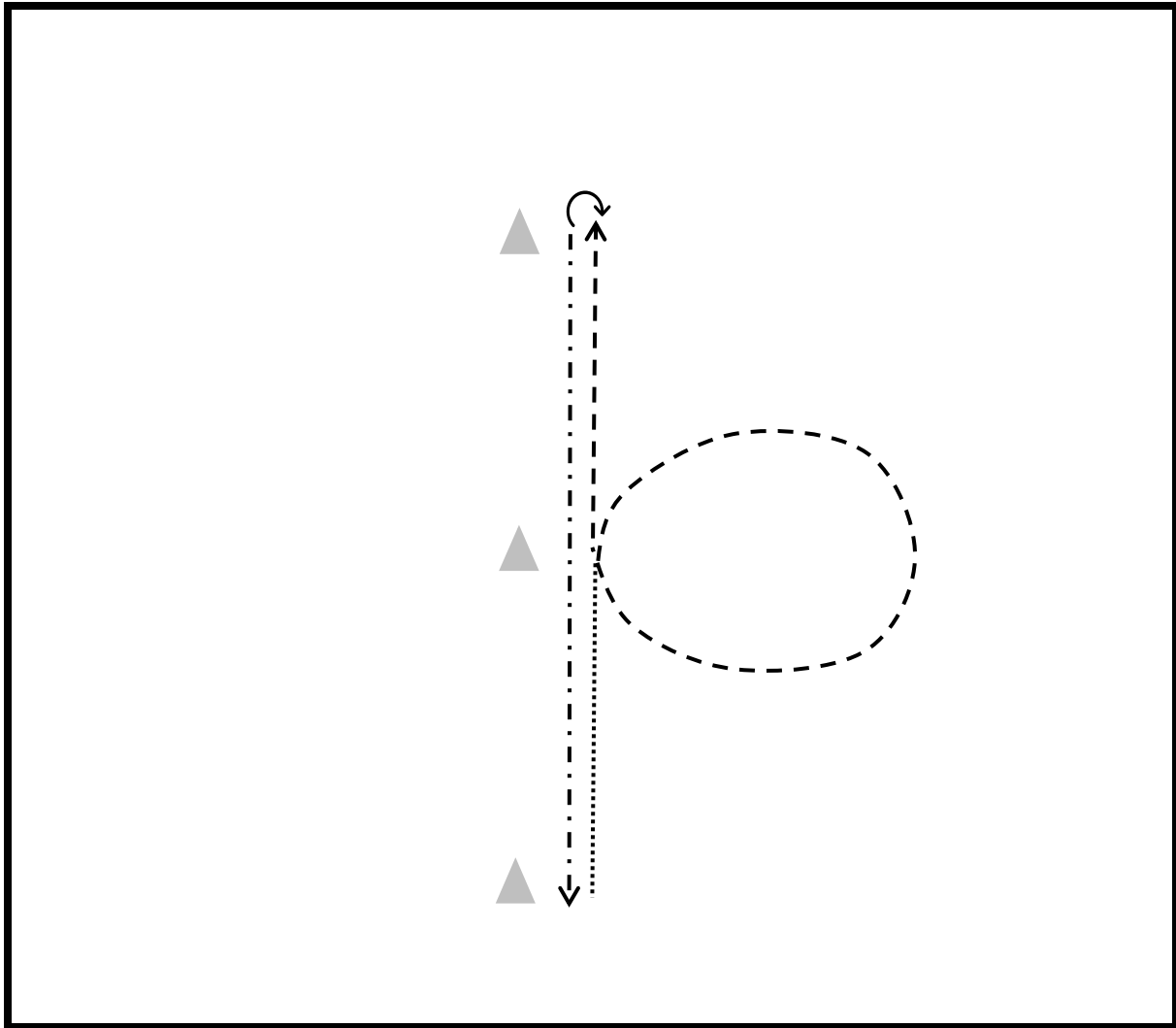


# Oklahoma Horse Show Association

Show Date: April 13, 2024

Equitation: Open W/T, W/T Amateur, W/T Youth

Classes 31, 35, 38



Be ready at the cone.

1. Walk to second cone.
2. Posting trot circle to the right on proper diagonal.
3. Collect to walk, and walk to third cone, stop.
4. Perform a 180 degree turn to the right.
5. Extended trot to exit.

Walk	.....
Trot	----
Ex. Trot	-.-.-

*Note: The drawn description of this pattern is only intended for the general depiction of the pattern. Contestants should utilize the arena space to best exhibit their horses.*

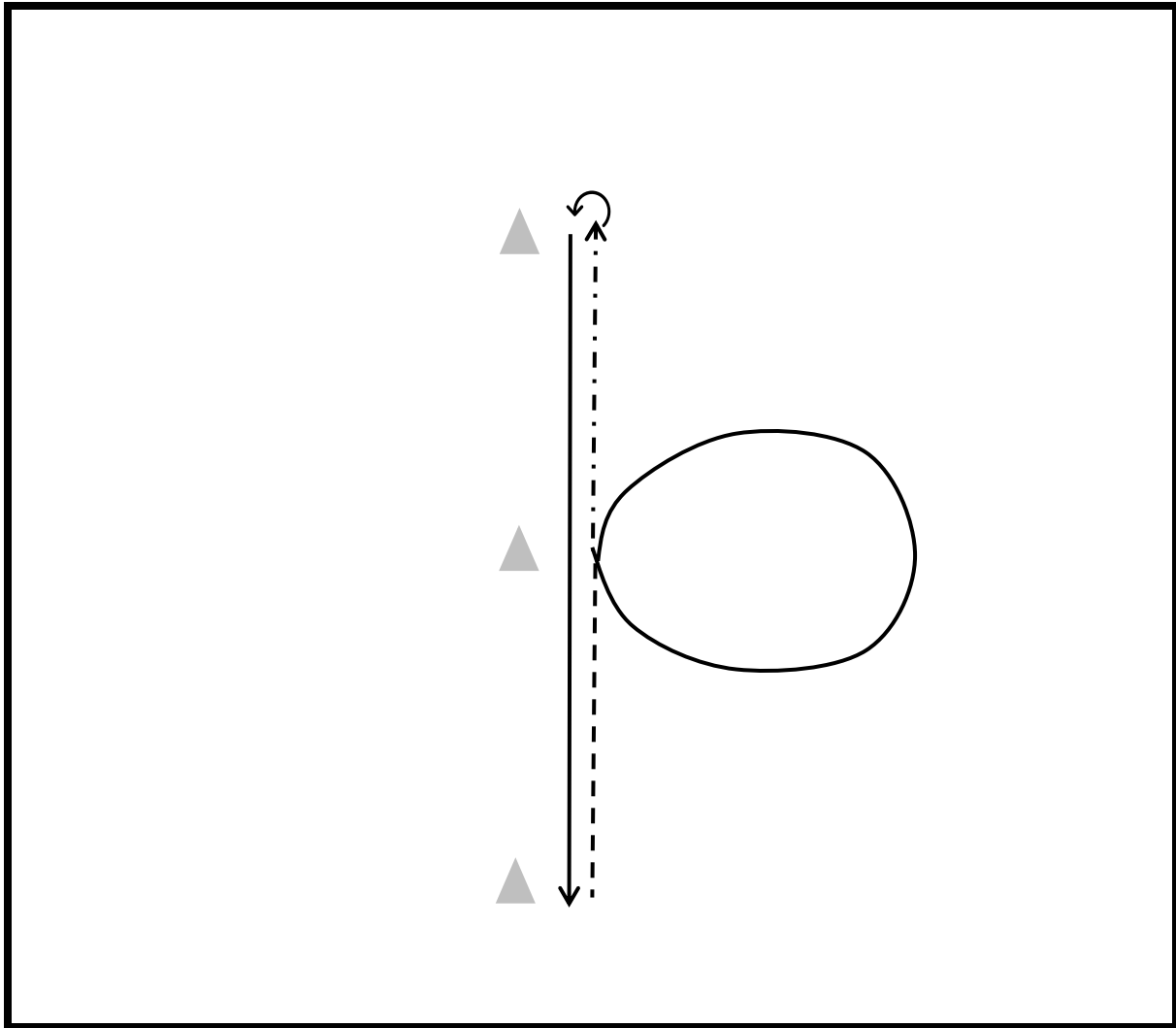


# Oklahoma Horse Show Association

Show Date: April 13, 2024

Equitation: Open, Amateur, Youth

Classes 32, 33, 36



Be ready at the cone.

1. Posting trot to second cone.
2. Canter circle to the right on the right lead.
3. Collect to extended trot to third cone, stop.
4. Perform a 180 degree turn to the left.
5. Canter left lead to exit.

Trot - - - -  
Ex. Trot - · - · -  
Canter ———

*Note: The drawn description of this pattern is only intended for the general depiction of the pattern.  
Contestants should utilize the arena space to best exhibit their horses.*

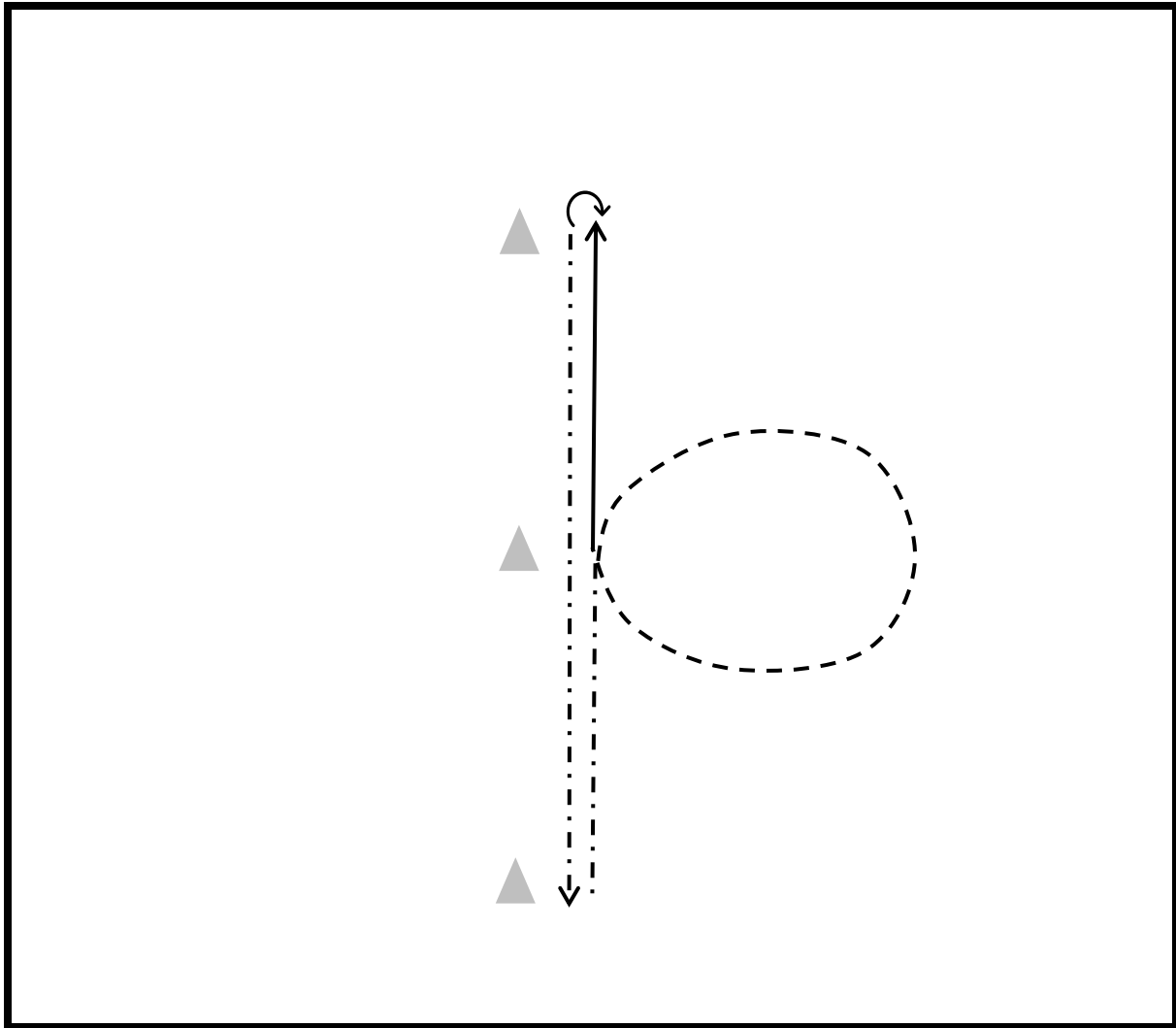


# Oklahoma Horse Show Association

Show Date: April 13, 2024

## Equitation: Novice Amateur, Novice Youth

Classes 34, 37



Be ready at the cone.

1. Extended trot to second cone.
2. Posting trot circle to the right on proper diagonal.
3. Canter right lead to third cone, stop.
4. Perform a 180 degree turn to the right.
5. Extended trot to exit.

Walk	.....
Trot	- - - -
Ex. Trot	- . . . -
Canter	————

*Note: The drawn description of this pattern is only intended for the general depiction of the pattern.  
Contestants should utilize the arena space to best exhibit their horses.*

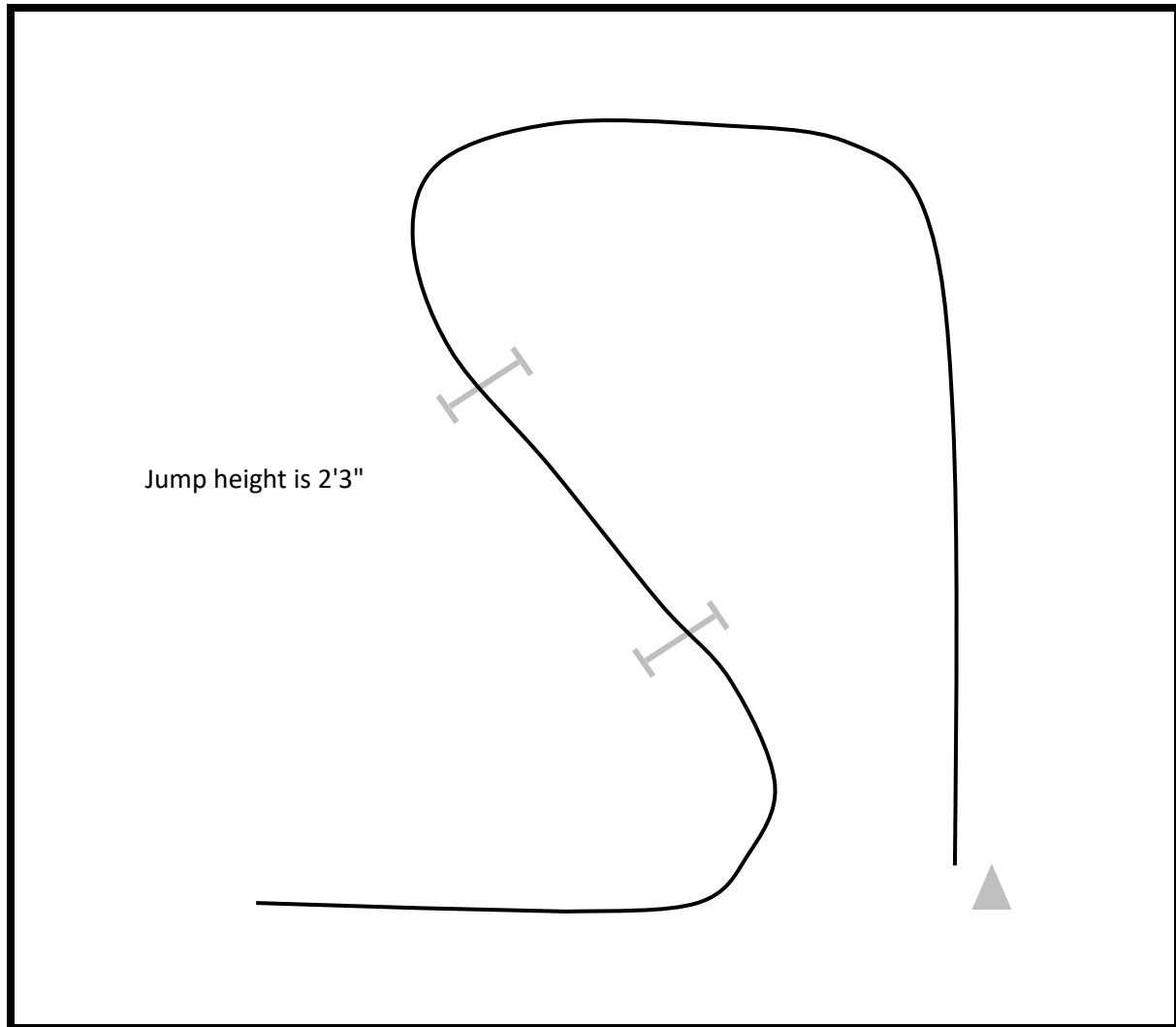


# Oklahoma Horse Show Association

Show Date: April 13, 2024

## Hunter Hack: Open, Amateur

Classes 39, 40



Be ready at the cone.

1. Canter left lead.
2. Cross the first jump.
3. Cross the second jump.
4. Continue around end of arena on the right lead, and stop.

Trot	----
Ex. Trot	-·-·-
Canter	———

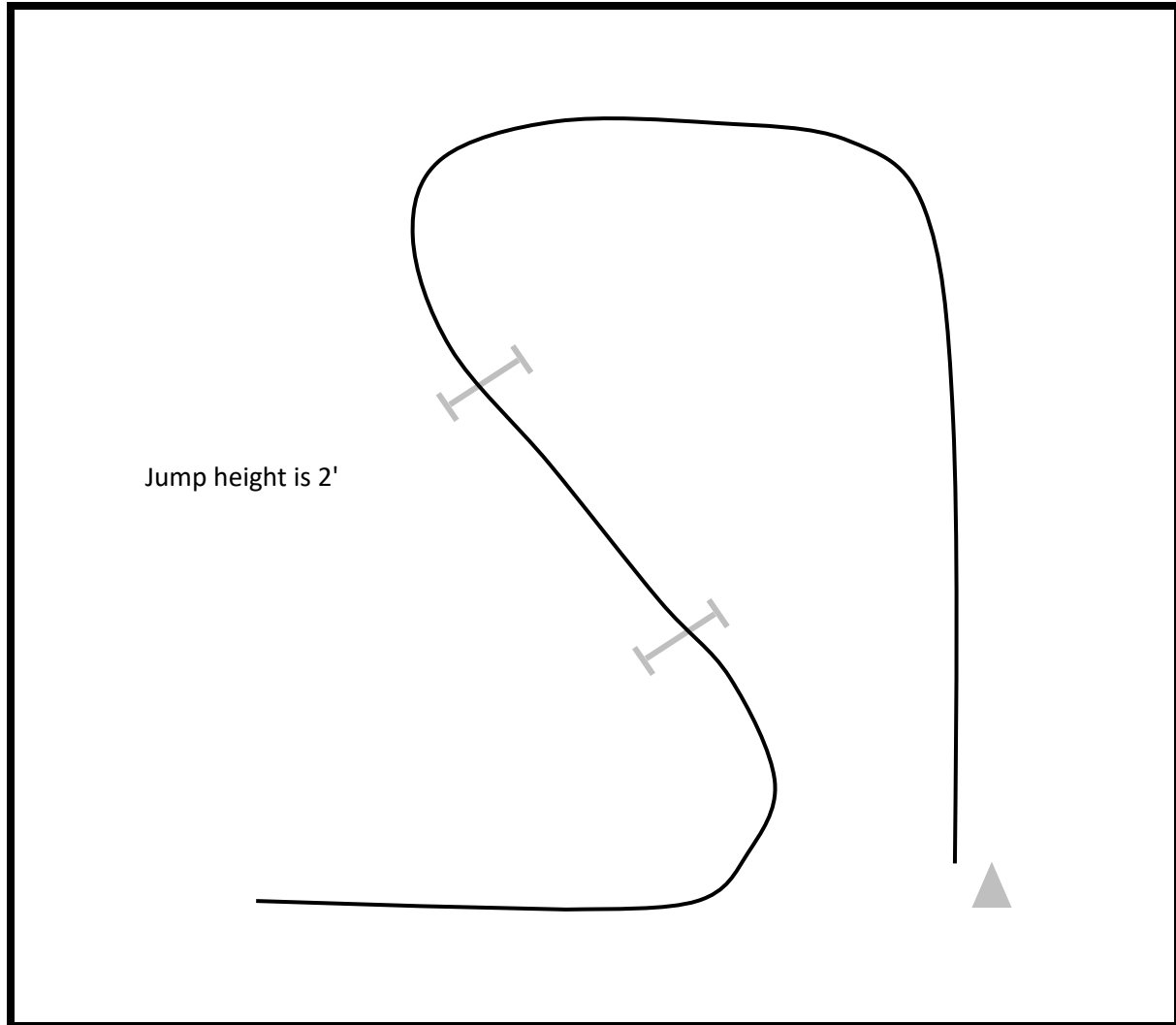


# Oklahoma Horse Show Association

Show Date: April 13, 2024

## Hunter Hack: Novice Amateur, Youth, Novice Youth

Classes 41, 42, 43



Be ready at the cone.

1. Canter left lead.
2. Cross the first jump.
3. Cross the second jump.
4. Continue around end of arena on the right lead, and stop.

Walk	.....
Trot	- - - -
Ex. Trot	- . . . -
Canter	————

*Note: The drawn description of this pattern is only intended for the general depiction of the pattern.  
Contestants should utilize the arena space to best exhibit their horses.*



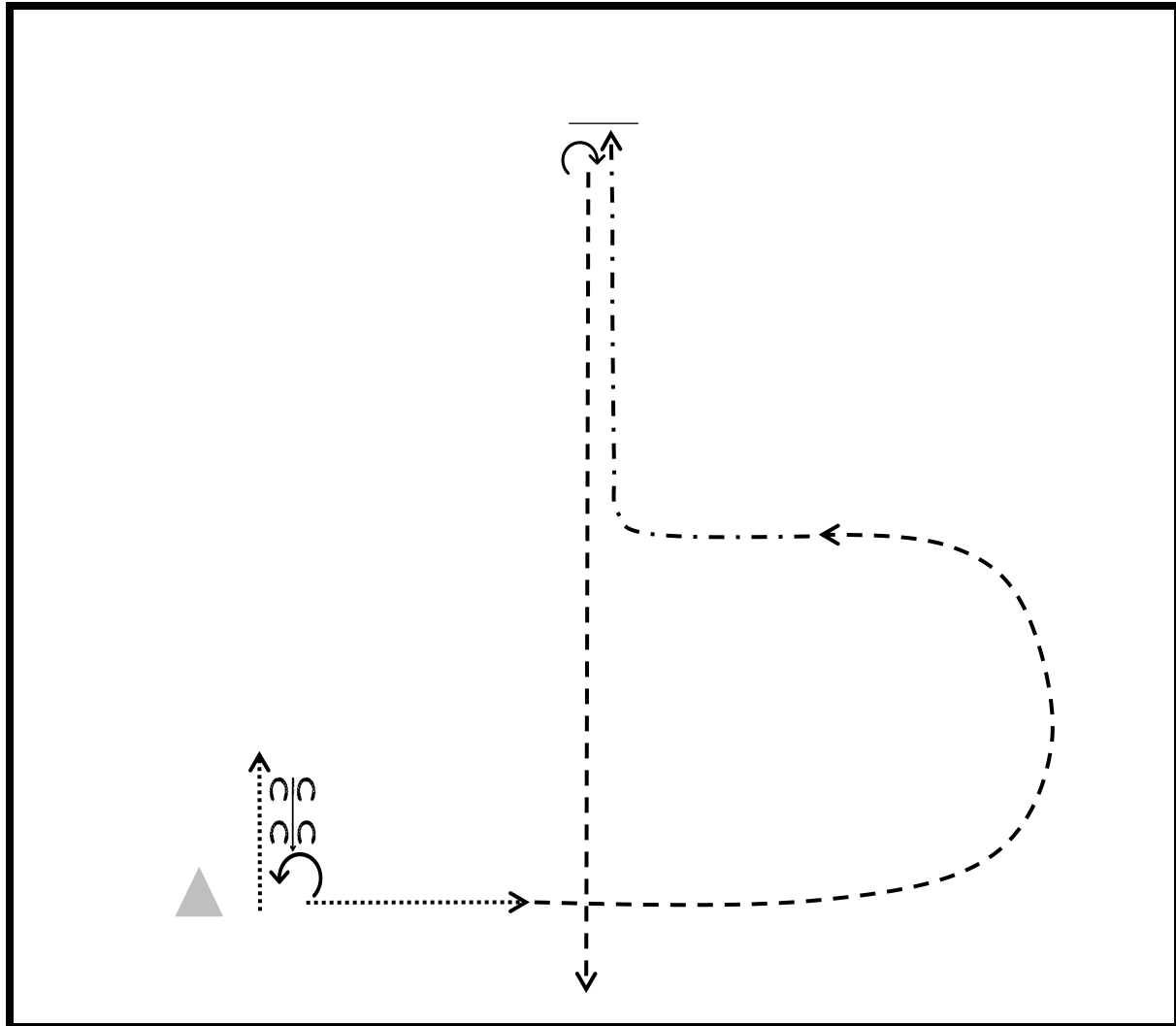


# Oklahoma Horse Show Association

Show Date: April 13, 2024

Horsemanship: Open W/T, W/T Amateur, W/T Youth

Classes 62, 66, 69



Be ready at the cone.

1. Walk forward, stop, and back 4 steps.
2. Perform a 270 degree turn to the left.
3. Walk, then jog a half circle to the left.
4. Extended jog, square turn right and up the center of the arena.
5. Stop, perform a 180 degree turn to the right.
6. Jog to exit.

Walk	.....
Jog	----
Ex. Jog	.....
Back	

*Note: The drawn description of this pattern is only intended for the general depiction of the pattern. Contestants should utilize the arena space to best exhibit their horses.*

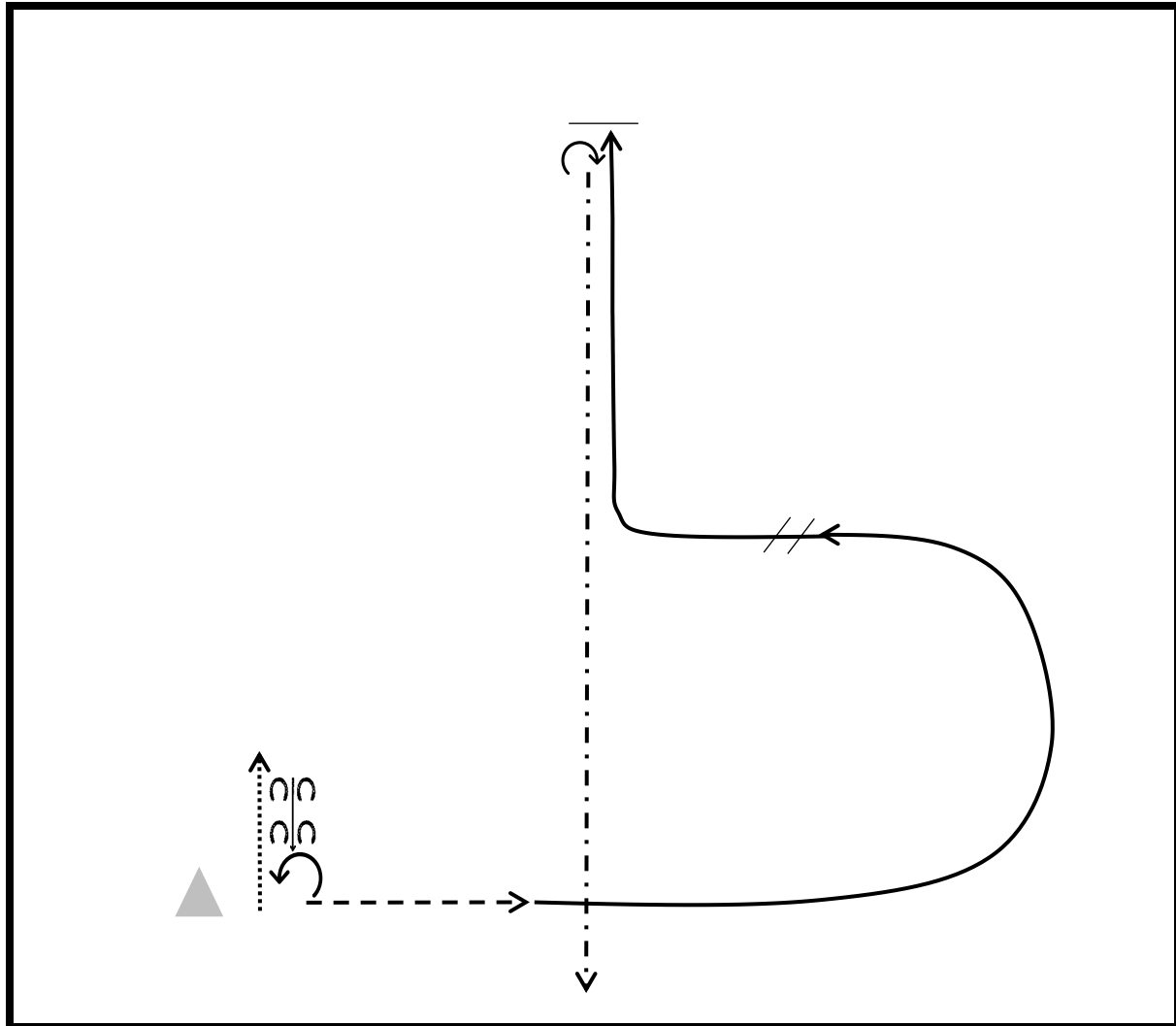


# Oklahoma Horse Show Association

Show Date: April 13, 2024

## Horsemanship: Open, Amateur, Youth

Classes 63, 64, 67



Be ready at the cone.

1. Walk forward, stop, and back 4 steps.
2. Perform a 270 degree turn to the left.
3. Jog, then lope a half circle to the left on the left lead.
4. Change leads, lope right lead square turn right and up the center of the arena.
5. Stop, perform a 180 degree turn to the right.
6. Extended jog to exit.

Walk	.....
Jog	- - - -
Ex. Jog	- . - . -
Lope	————
Lead Change	//
Back	

*Note: The drawn description of this pattern is only intended for the general depiction of the pattern.  
Contestants should utilize the arena space to best exhibit their horses.*

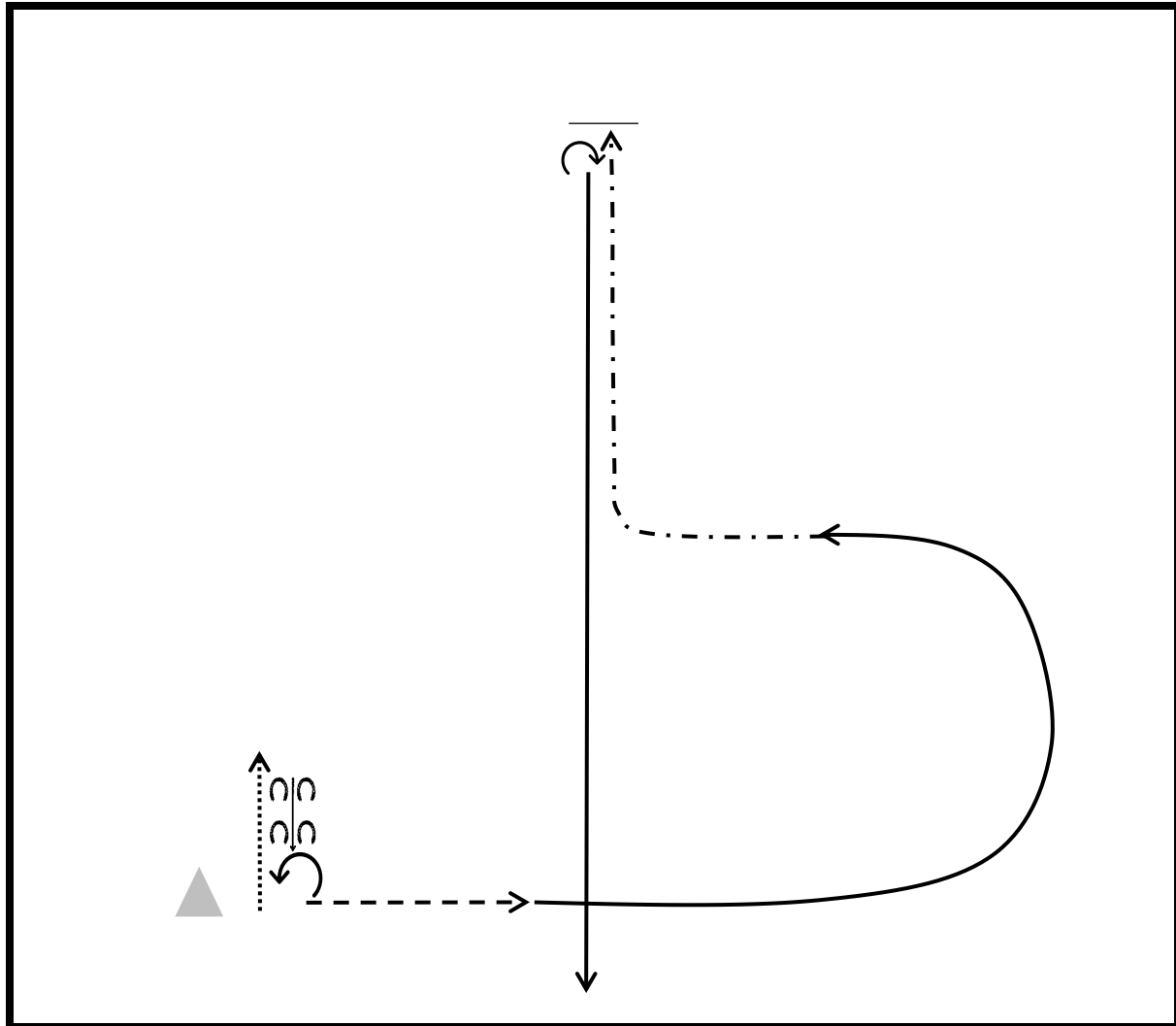


# Oklahoma Horse Show Association

Show Date: April 13, 2024

## Horsemanship: Novice Amateur, Novice Youth

Classes 65, 68



Be ready at the cone.

1. Walk forward, stop, and back 4 steps.
2. Perform a 270 degree turn to the left.
3. Jog, then lope a half circle to the left on the left lead.
4. Collect to an extended jog, square turn right and up the center of the arena.
5. Stop, perform a 180 degree turn to the right.
6. Lope right lead to exit.

Walk	.....
Jog	----
Lope	—
Back	

*Note: The drawn description of this pattern is only intended for the general depiction of the pattern. Contestants should utilize the arena space to best exhibit their horses.*

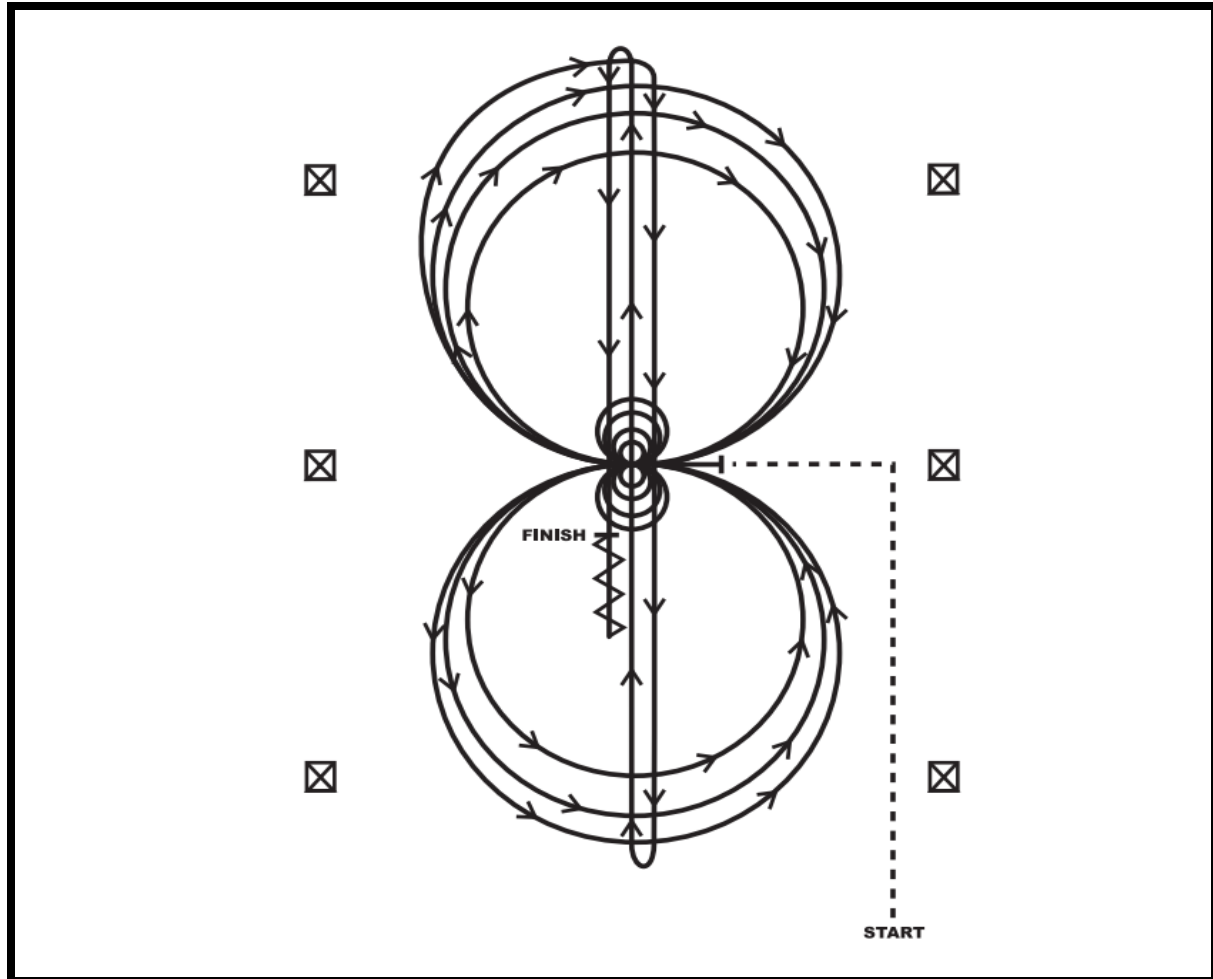


# Oklahoma Horse Show Association

Show Date: April 13, 2024

Reining: Open, Amateur, Nov. Amateur, Youth, Nov. Youth

Classes 70, 71, 72, 73, 74



1. Complete four spins to the left. Hesitate.
2. Complete four spins to the right. Hesitate.
3. Beginning on the right lead complete three circles to the right; the first circle small and slow; the next two circles large and fast. Change leads at the center of the arena.
4. Complete three circles to the left; the first circle small and slow; the next two circles large and fast. Change leads at the center of the arena.
5. Begin a large circle to the right, but do not close this circle. Run down the center of the arena past the end marker and do a right rollback—no hesitation.
6. Run up the middle to the opposite end of the arena past the end marker and do a left rollback—no hesitation.
7. Run past the center marker and do a sliding stop. Back up to the center of the arena or at least ten feet (three meters). Hesitate to demonstrate completion of the pattern.

*Note: The drawn description of this pattern is only intended for the general depiction of the pattern. Contestants should utilize the arena space to best exhibit their horses.*

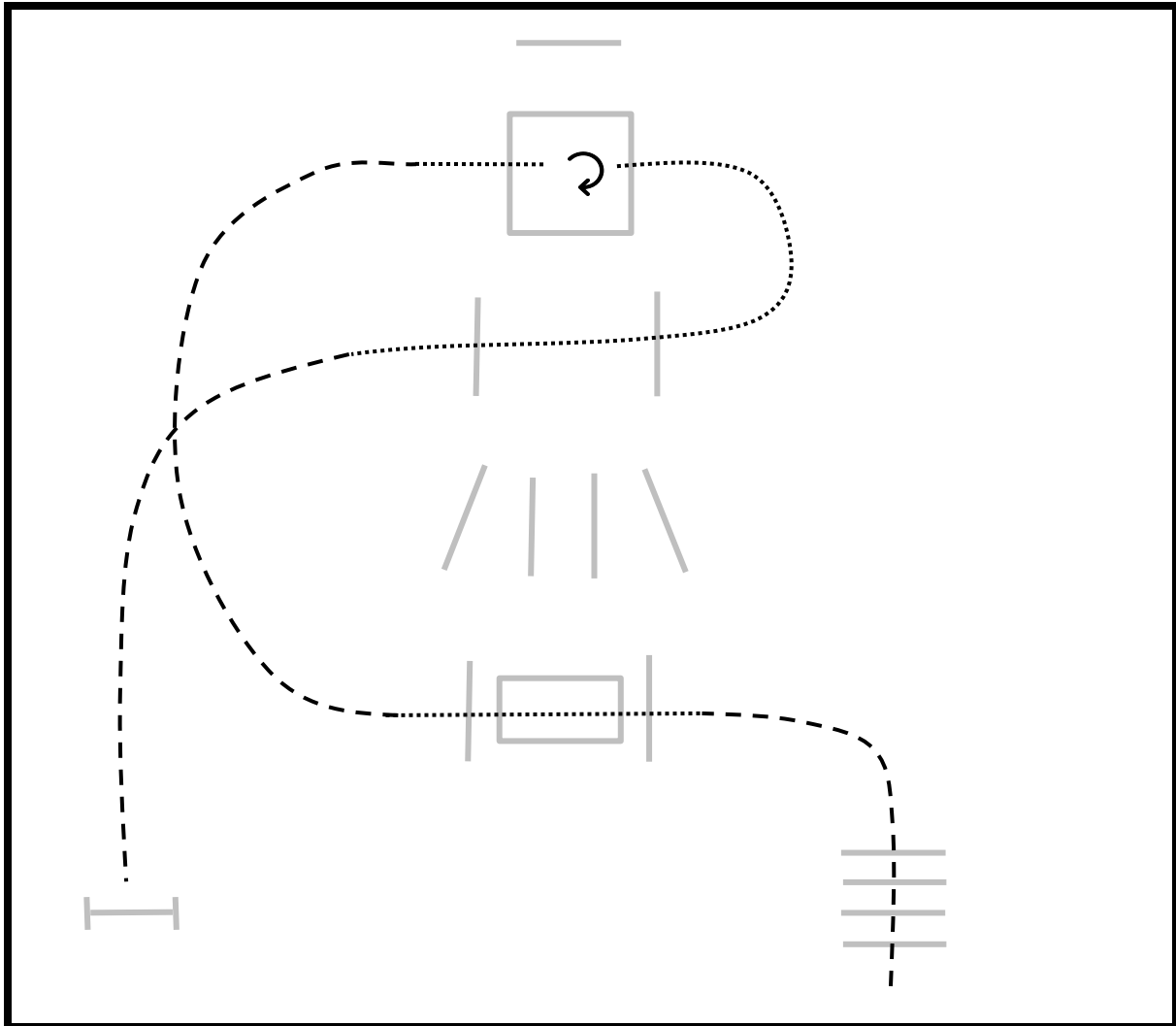


# Oklahoma Horse Show Association

Show Date: April 13, 2024

## Trail: In-Hand

Class 75



1. Jog over poles.
2. Walk over poles and bridge.
3. Jog half circle.
4. Walk into box, stop.
5. Perform a 360 degree turn to the right.
6. Walk out of box.
7. Walk over poles.
8. Jog to gate.
9. Work gate left handed, exit.

Walk	.....
Jog	- - - -
Back	

*Note: The drawn description of this pattern is only intended for the general depiction of the pattern.*

*Contestants should utilize the arena space to best exhibit their horses.*

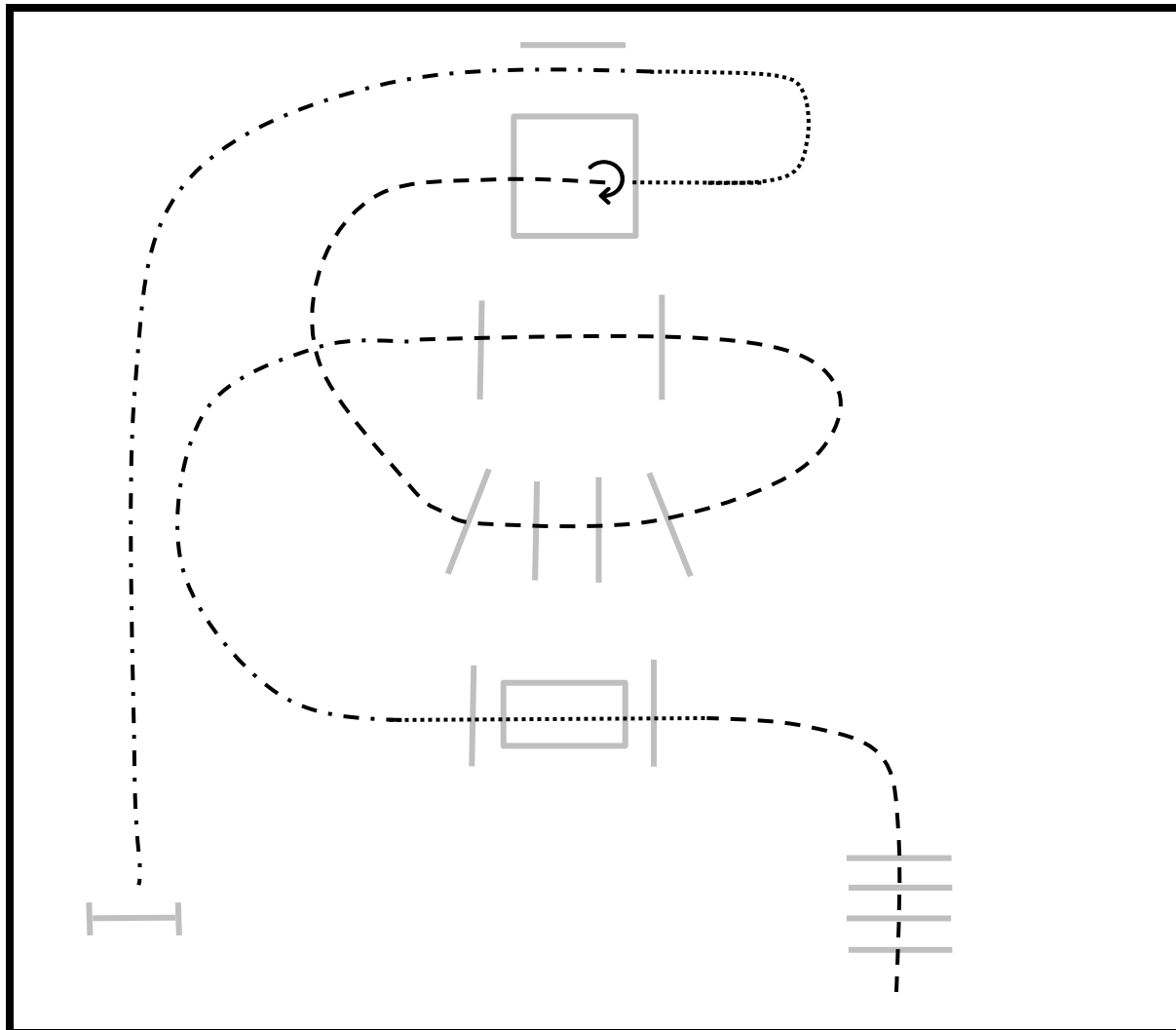


# Oklahoma Horse Show Association

Show Date: April 13, 2024

Trail: Open W/T, W/T Amateur, W/T Youth

Classes 76, 80, 83



1. Jog over poles.
2. Walk over poles and bridge.
3. Extended jog half circle.
4. Jog over poles and into box, stop.
5. Perform a 360 degree turn to the right.
6. Walk out of box.
7. Walk a small half circle.
8. Extended jog between pole and box.
9. Extended jog to gate.
10. Work gate left handed, exit.

Walk	.....
Jog	----
Ex. Jog	-.-.-
Back	

*Note: The drawn description of this pattern is only intended for the general depiction of the pattern.*

*Contestants should utilize the arena space to best exhibit their horses.*



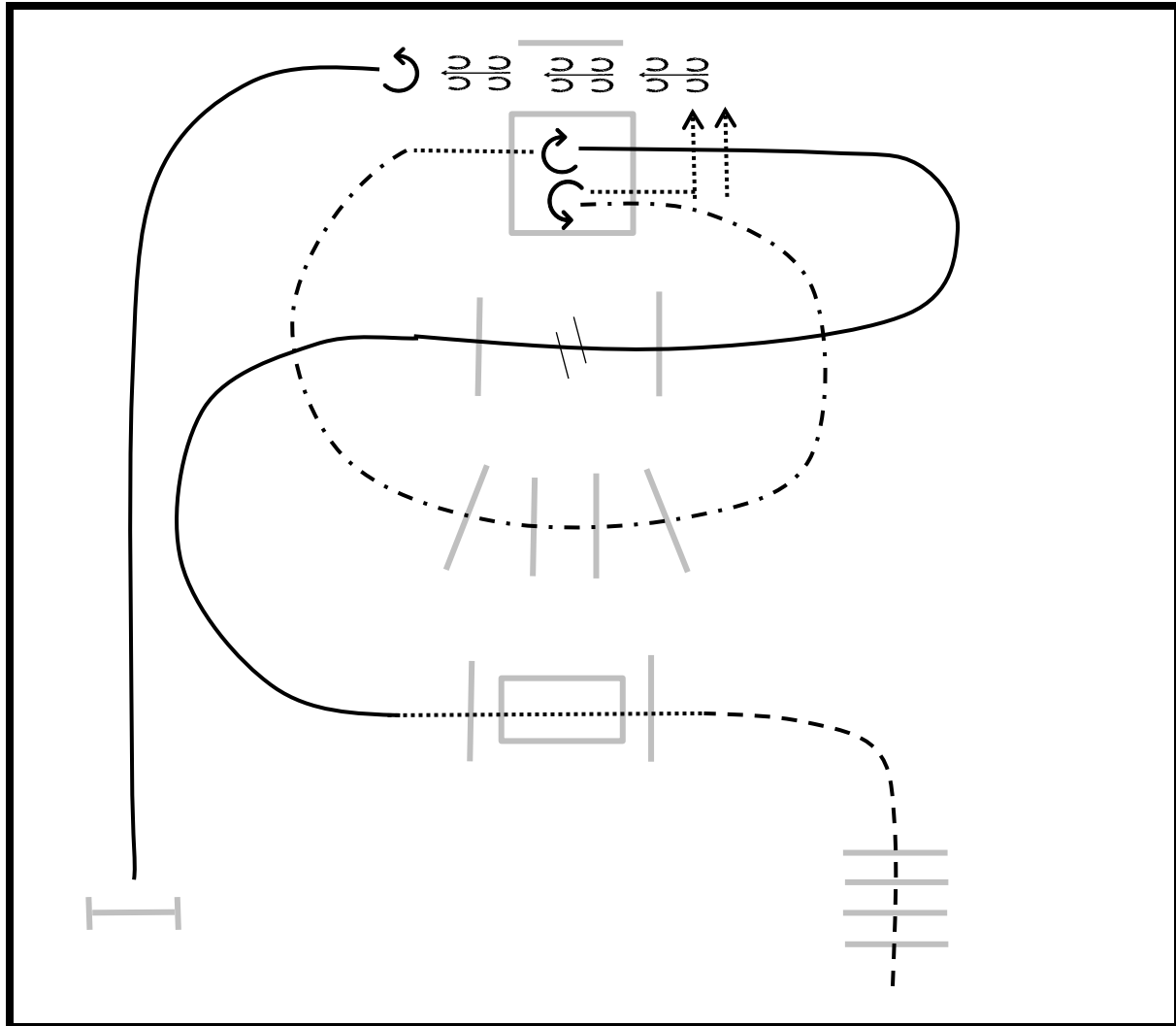


# Oklahoma Horse Show Association

Show Date: April 13, 2024

Trail: Open, Amateur, Youth

Classes 77, 78, 81



1. Jog over poles.
2. Walk over poles and bridge.
3. Lope right lead half circle and over pole, changing leads in between (simple or flying).
4. Lope left lead over next pole and into box, stop.
5. Perform a 360 degree turn to the right.
6. Walk out of box, extended job over poles and back into box, stop.
7. Perform a 180 degree turn to the left, walk out of box.
8. Side pass to the left, back between pole and box.
9. Perform a 180 degree turn to the left.
10. Lope left lead to gate.
11. Work gate left handed, exit.

Walk	.....
Jog	-----
Lope	————
Lead Change	////
Back	↺ ↻

*Note: The drawn description of this pattern is only intended for the general depiction of the pattern.*

*Contestants should utilize the arena space to best exhibit their horses.*

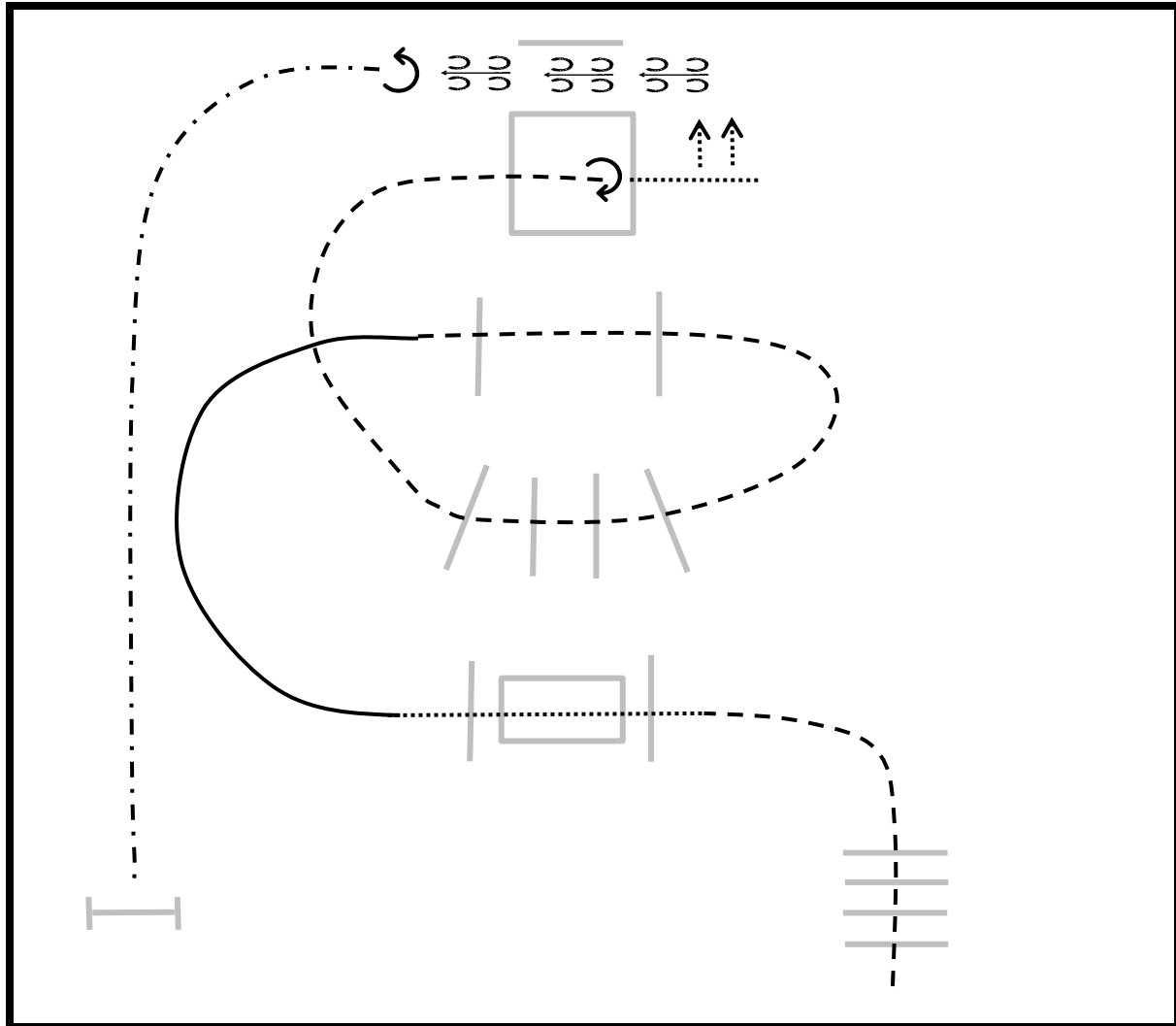


# Oklahoma Horse Show Association

Show Date: April 13, 2024

## Trail: Novice Amateur, Novice Youth

Classes 79, 82



1. Jog over poles.
2. Walk over poles and bridge.
3. Lope right lead half circle.
4. Jog over poles and into box, stop.
5. Perform a 360 degree turn to the right.
6. Walk out of box, stop.
7. Side pass to the left.
8. Back between pole and box.
9. Perform a 180 degree turn to the left.
10. Extended jog to gate.
11. Work gate left handed, exit.

Walk	.....
Jog	-----
Ex. Jog	- . - . - .
Lope	—————
Back	↻ ↻

*Note: The drawn description of this pattern is only intended for the general depiction of the pattern.*

*Contestants should utilize the arena space to best exhibit their horses.*